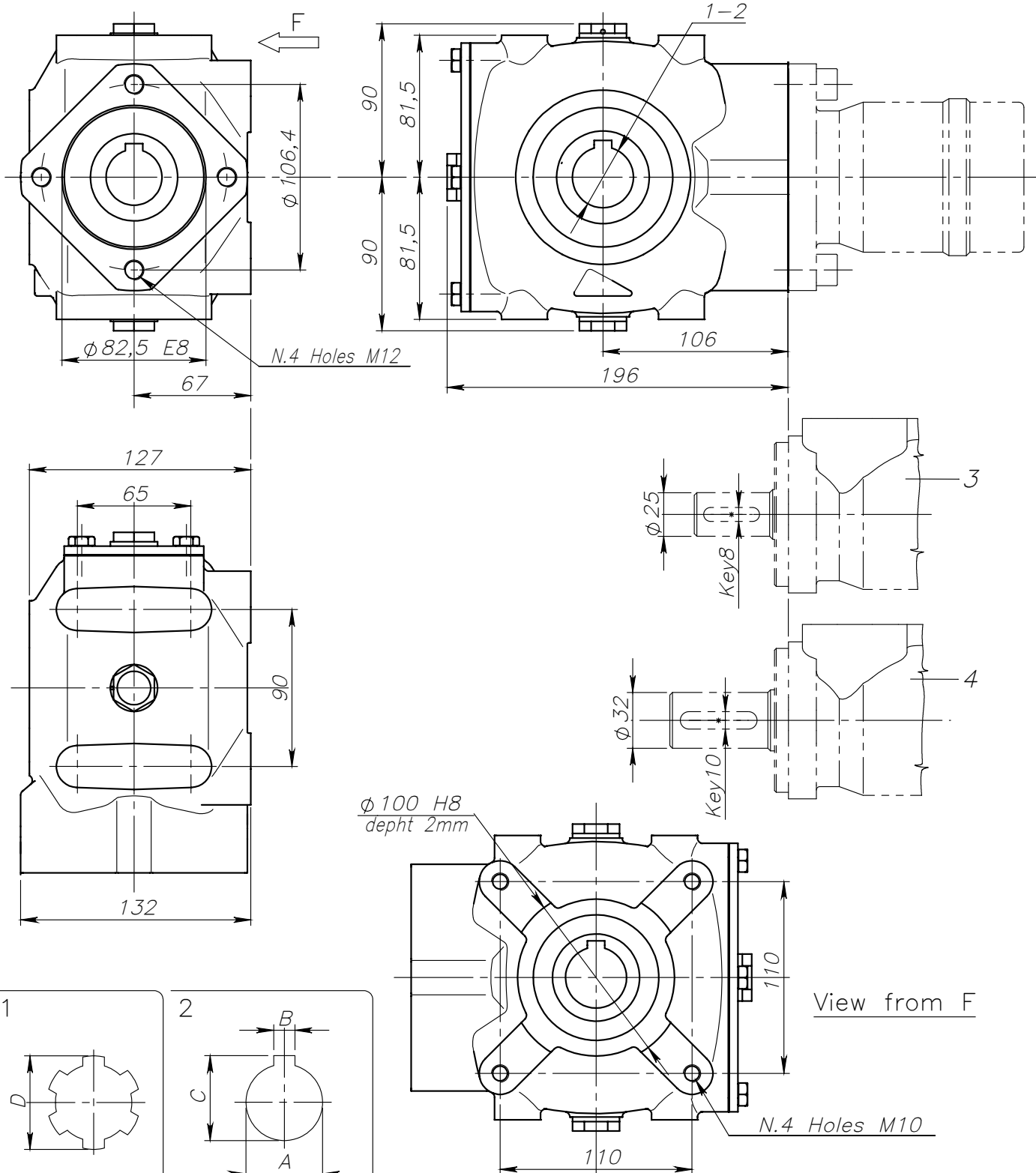




Gearbox RT 50



Code	A E8	B E8	C	D	Input Shaft	Weight kg	Ratio	Output torque Nm	Oil Type	Quantity kg	Working Temperature
15844	30	8	33,8								
15845	35	10	38,8		3						
15846				1 3/8" Z6		11	1,9:1	500	SAE 90 EP	0,5	-20°C +80°C
15847	30	8	33,8								
15848	35	10	38,8		4						
15849				1 3/8" Z6							