



FOR DISPLAY UNTIL 12M²
ASYNCHRONOUS MOTOR
INTENSIVE USING

TECHNICAL FEATURES :

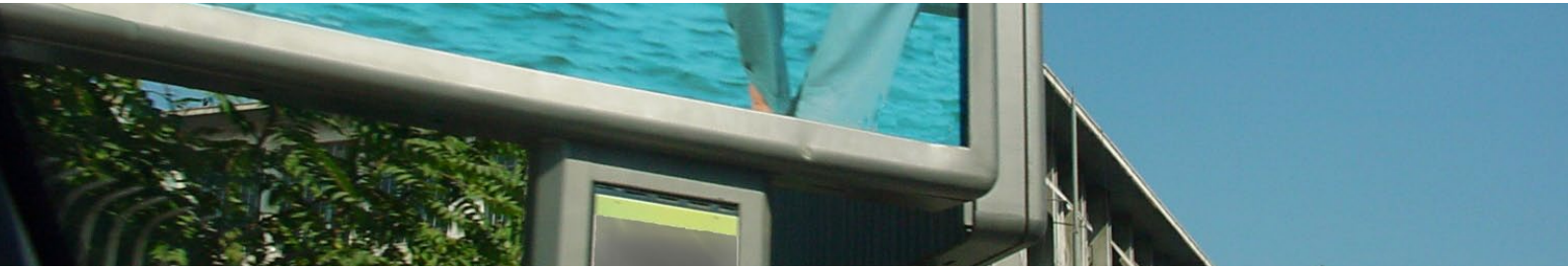
- 2 three phase asynchronous motors 4 poles 230Vac
- Steel cylindrical tube
- Power 200W
- Speed : 1200 RPM
- Electronic speed variator to drive the motors (5 to 15hz)
- Stop position is maintained by a power failure brake
- Permanently lubricated
- Lifespan : 10 000 hours
- Thermal cut-out 155°C
- Class F insulation
- IP44 protection
- S3 service class
- Three phase version (FT4)
- Working temperature : -20°C to +85°C

**OPTIONS AVAILABLE ON DEMAND :**

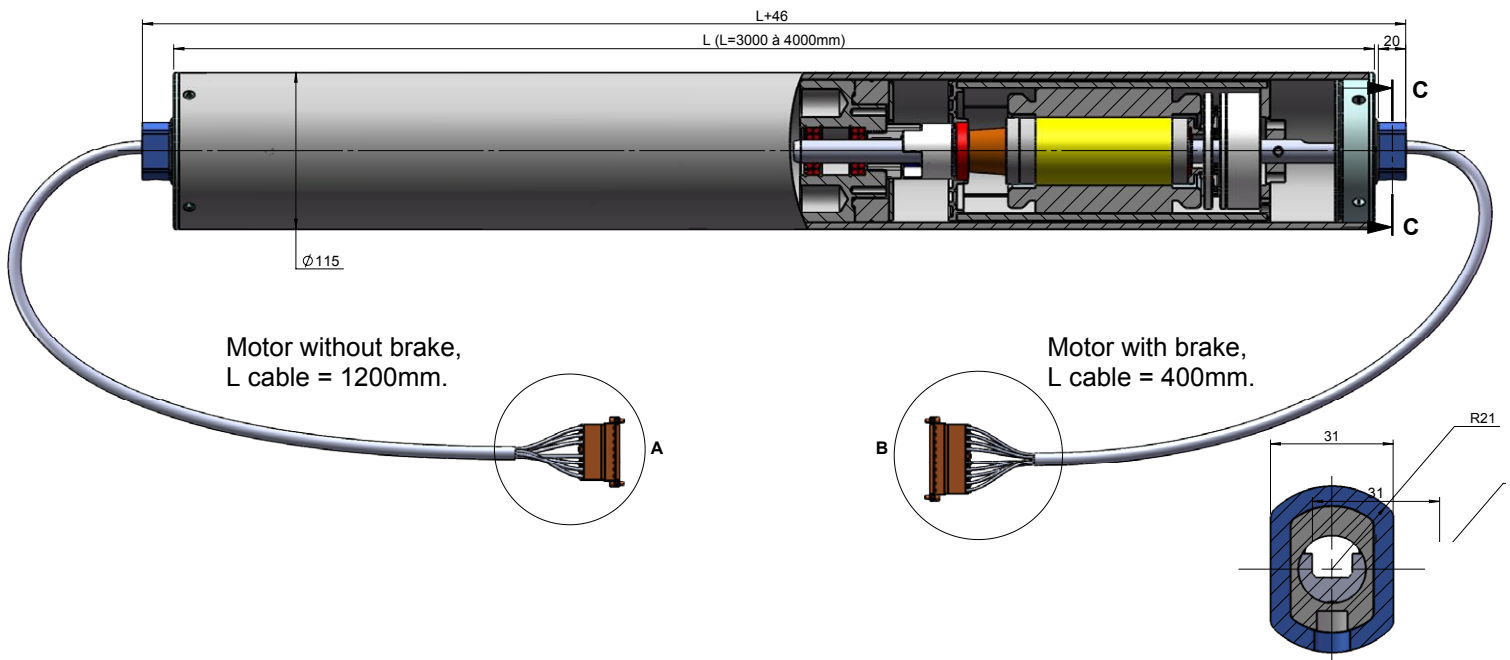
- Tube length
- Cable length
- Connector
- End caps
- Voltages and frequencies

COMPLY WITH STANDARDS :

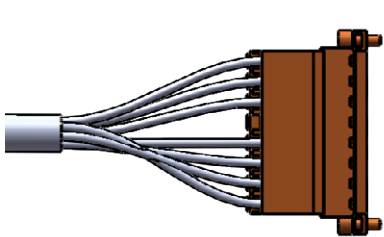
- EN 60335-1
- EN 60034-1



DIMENSIONS



ELECTRICAL WIRING



| Connector Weidmueller 8 poles SLZF 5.08/8/180B OR | |
|--|------------------------|
| Purple | Protecteur thermique |
| Purple | Protecteur thermique |
| Drain int. | Continuité du blindage |
| N/A | |
| Brown | U |
| Black | V |
| Blue | W |
| G/Y + drain ext | Ground + shield |

| Connector Weidmueller 10 poles SLZF 5.08/10/180B OR | |
|--|-------------------|
| G/Y + drain ext | Ground + shield |
| Blue | U |
| Black | V |
| Brown | W |
| N/A | |
| Drain intérieur | |
| Purple | Thermal protector |
| Purple | |
| Red | Brake 24Vdc |
| Gris | |

