

**FRENI IDRAULICI LAMELLARI  
CON TRASCINAMENTO ESTERNO  
Serie FCE**

**MULTI PLATE HYDRAULIC  
BRAKES WITH EXTERNAL  
DRIVING  
Model FCE**

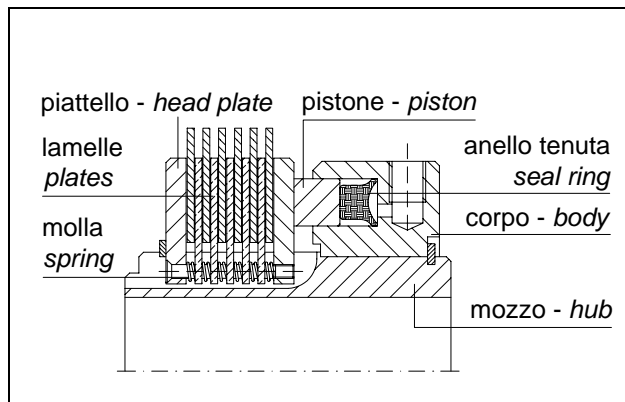
**PRESTAZIONI ( 8 bar ) • PERFORMANCES ( 8 bar )**

tipo - size	M <sub>din</sub>	M <sub>stat</sub>	giri/min - R.P.M. max	Volio - Voil cm <sup>3</sup>	dischi - plates ext/int	campana housing	peso - weight Kg
FCE 078	40	70	3600	7	5/4	CAI 078	2.2
FCE 108	90	160	3200	13	6/5	CAI 108	4.5
FCE 129	180	340	2800	16	8/7	CAI 109	8.5
FCE 199	450	750	2200	42	6/5	CAI 199	18

**DIMENSIONI (mm) • DIMENSIONS (mm)**

tipo size	A	B h11	C max	D	E h11	F	G	H	n° x J	L	N	P
FCE 078	71	89	26	33	88	0.5	7	1/8"	3x12	78,5	27.5	21.5
FCE 108	85	120	40	46	112	1	6	1/8"	8x16	109	31	25
FCE 129	99	145	48	58	130	1	9	1/4"	8x16	130	46	37
FCE 199	115	218	58	70	180	2	10	1/4"	10x20	199	63	50

**NOME PARTICOLARI • PARTS NAME**



**ESEMPIO MONTAGGIO • MOUNTING EXAMPLE**

