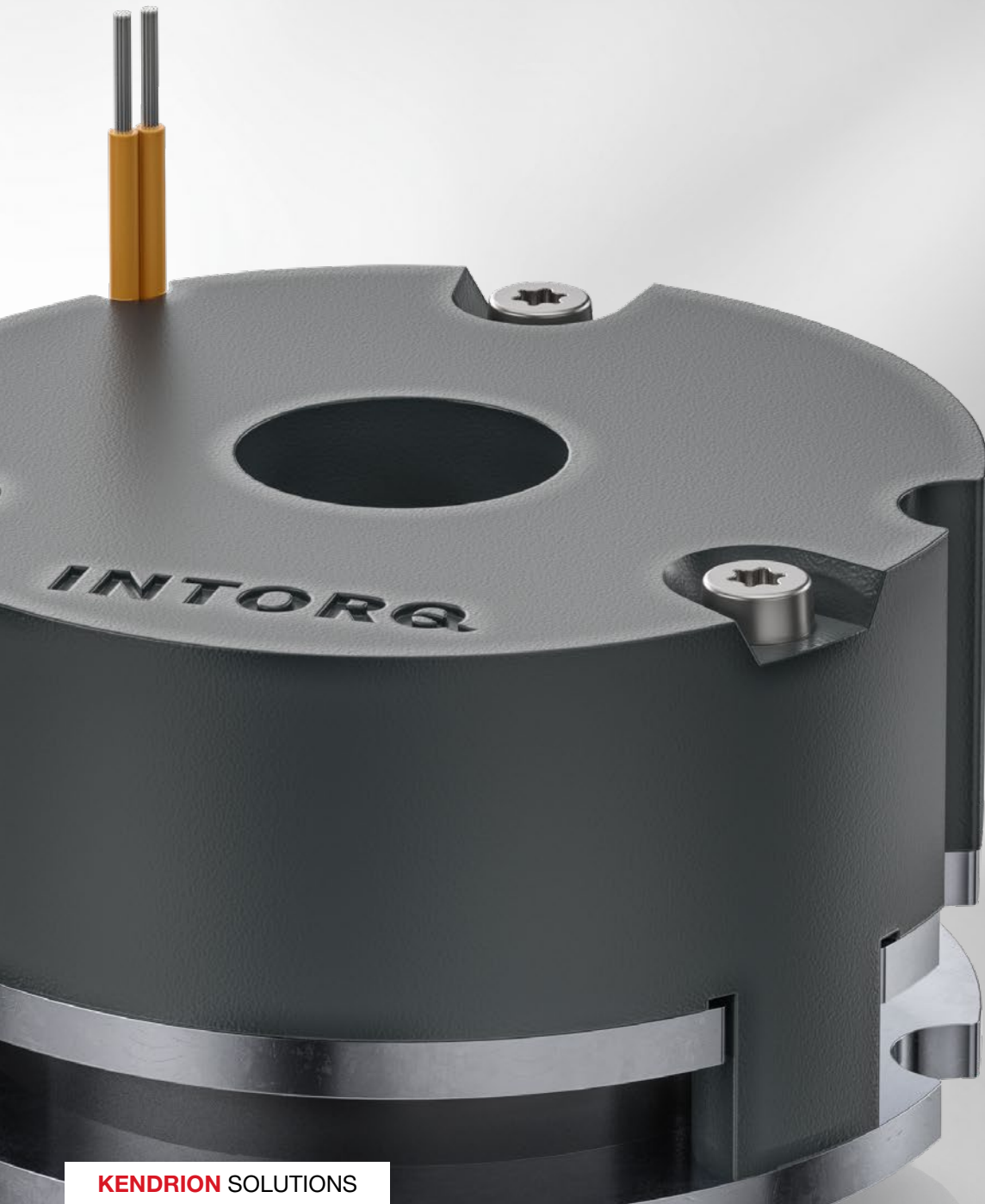


KENDRION

INTORQ

POWERED BY KENDRION



KENDRION SOLUTIONS

Spring-applied brake BFK551

Intelligent design and convincing performance in its most compact form

PRECISION. SAFETY. MOTION.

BFK551 – the better choice

Compact size

The new BFK551 upgrades our range of compact spring-applied brakes to a new level. The BFK551 offers the market significant improvements and added flexibility in terms of performance and customization compared with equivalent brake models.

Superior alternative

With its space-saving size, the BFK551 can be easily integrated into new and existing drive solutions. The special housing design significantly increases the friction radius, which makes the BFK551 the more powerful solution compared with competitors' products.

Intelligent design

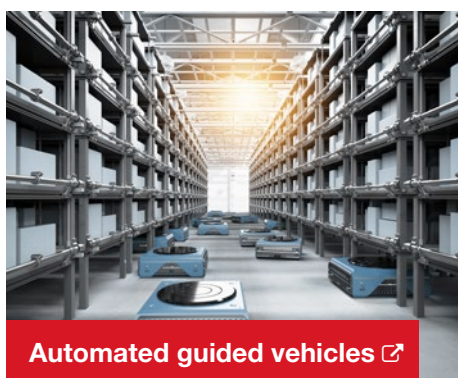
Recesses in the brake housing allow the connecting cables to be conveniently routed along the outside of the housing. The cable exit is equally ingenious and ensures that the minimum circumscribed circle (MCC) of the brake remains unchanged irrespective of the mounting direction.

Future-proof quality

Optimized subassembly prefabrication and final assembly at the customer's site guarantee sustainable future-proof quality. Our international network of production plants and service facilities ensures excellent global reach and availability – wherever you are in the world.

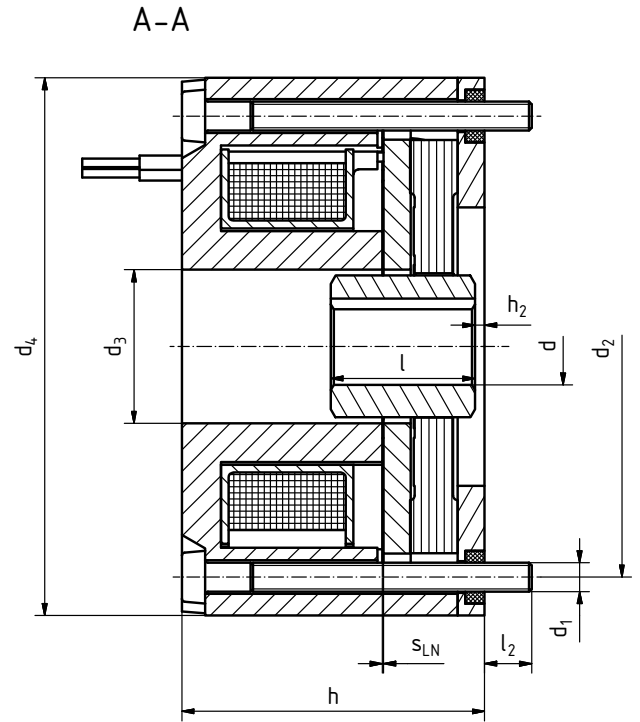
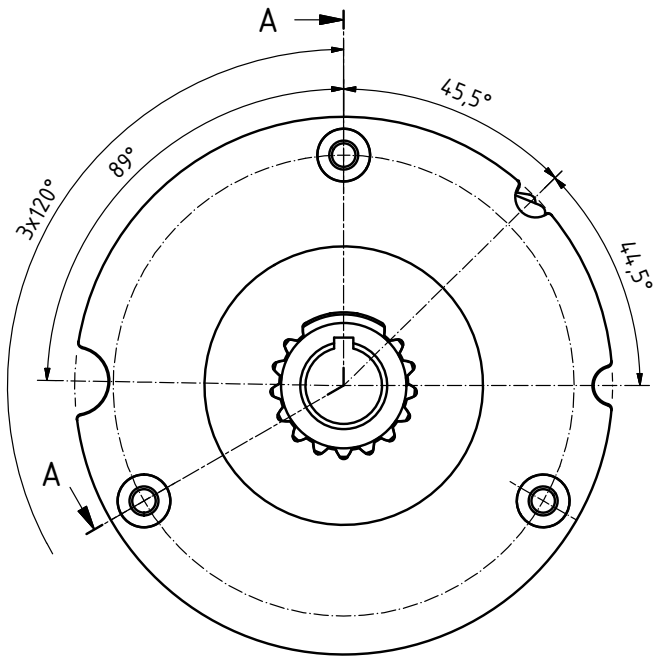
Product features

- Dynamic or holding brake with emergency stop function
- Compact design with rotor and flange
- Fully assembled with integrated Torx® mounting screws
- 5 different brake sizes
- Brake torques between 0.24 and 4 Nm
- Supply voltage:
 - Size 01 brakes: 24 VDC
 - Size 02 brakes: 24 VDC / 205 VDC
 - Size 03/04/05 brakes: 24 VDC / 103 VDC / 205 VDC
- Insulation class F (155°C)
- Ambient temperatures 20 to +40°C
- Simple brake installation on motor shaft
- Factory-set air gap – secured against accidental adjustments
- Involute splines for long hub life
- Different hub bore diameters for each brake size
- Hand release for size 03/04/05 brakes available from Q2/2021
- Optional customized modifications and solutions
- Global availability



Convincing benefits

- Intelligent cable routing within the minimum circumscribed circle (MCC) of the brake
- UL recognized (i.e. "UR" marked) insulation system enables worldwide use
- Simple and fast implementation of customer-specific requirements (e.g. different torques)
- Simple and fast assembly, good automation options
- Reliable and stable brake torque due to controlled air gap and measured spring force
- Designed for a long service life with at least 1 million switching operations



Connecting cable 400 mm long

Size	M_k [Nm]	M_{kmax} [Nm]	P_N [W]*	d^{H7}	d_1	d_2	d_3	d_4	l	$l_2 \pm 0.9$	h	h_2	m [kg]
01	-	0.24	4.9	5/6	3xM2.5	32	13.5	37	10	3.6	31.1	1	0.2
02	-	0.5	6.2	6/7/8	3xM3	40	16	47	10	5	31.2	1	0.25
03	0.5	1	8.3	6*/6/7/8*/9/10**	3xM3	48	16	56	15	4.8	31.8	1	0.4
04	1	2	10.9	6*/7/8/10	3xM3	58	18	65	15	4.8	31.8	1	0.55
05	2	4	12.4	8*/8/10/11/12/15**	3xM4	66	24	75	15	5.4	34.8	1	0.8

The specified coil power applies for 24 VDC coil voltage.

The hubs of size 01 and 02 brakes are secured by two set screws (supplied with the brake).

The hubs of size 03 / 04 / 05 brakes have keyways. The keyway tolerance grade is P9 according to DIN 6885/1. Exception: In size 05 brakes with 15 mm bore diameter, the keyway tolerance grade is P9 according to DIN 6885/3.

* predrilled, without keyway

** custom bores (surcharge applies, see price list)



Conveying systems [↗](#)



Access control [↗](#)

Kendrion INTORQ GmbH

Wülmser Weg 5
31855 Aerzen
Germany

T +49 5154 70534-222

intorq-bfk551@kendrion.com
www.kendrion.com

